

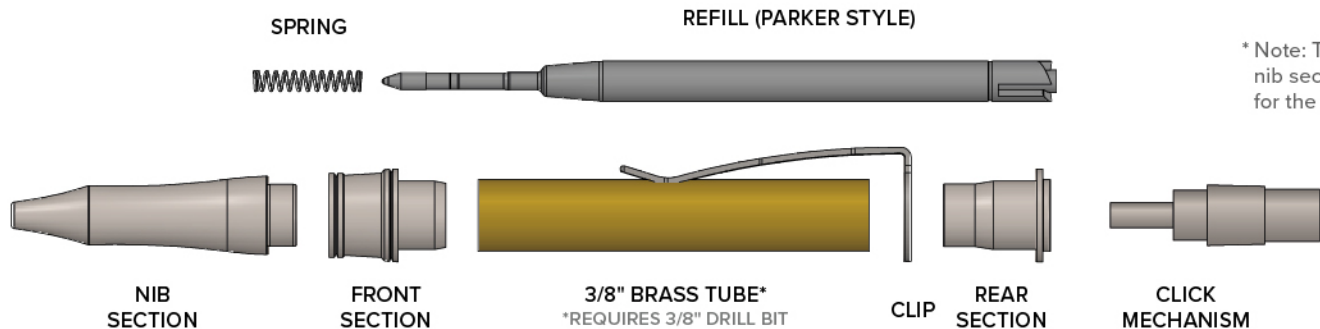
COYOTE PEN KIT - ASSEMBLY INSTRUCTIONS

1: Cut the blank to proper length before gluing in brass tube. We recommend epoxy for best results.

2: Carefully sand or trim blank flush with brass tube. Excessive trimming could result in the refill sticking out too far.

3: Using a mandrel or centers, turn the blank on your lathe to the diameter of the bushings.

4: After finishing the turned blank, carefully press the front section into the smaller diameter (.440") end of the blank.



5: Place the rear section piece through the hole in the clip and press into the larger diameter side of the blank (.476")

6: Screw the Schmidt Click Mechanism into the rear section.

7: Put the refill into the pen from the front section, place the spring on the end of the refill, and screw the nib section onto the pen.

